

# Specification Sheet

## 525.090.075 S P-TRAP 87.5°

- Diameter: Ø75mm
- Water seal height = 81mm
- Stainless steel: AISI316L/EN1.4404

### Product Codes

EAN: 5705499101478  
VVS Number: 160381375  
RSK Number: 1550346  
NRF Number: 3395042  
LVI Number: 3304020

### Specification

Angle (°): 87.5  
Length (mm): 93  
Material: AISI 316L  
Material (EN): EN 1.4404  
Max Flow (l/s): 3.7  
Minimum Flow (l/s): 2.5  
Outlet Diameter (mm): 75  
Type: Traps  
Water Seal Height (mm): 81  
Weight (kg): 0,84

### Approvals

 AUS - WMKT00204 - 18B

 DK - VA 2.41/19631-19

 DE - LGA Certificate 57214035 a

MARINE - R4547 NATO CODIFICATION SYSTEM

Bureau Veritas, 02375-H0

Lloyds Register 92-00041 (E7)

ABS - 18-LD1716353-PDA

DNVGL - TAP0000023-rev2

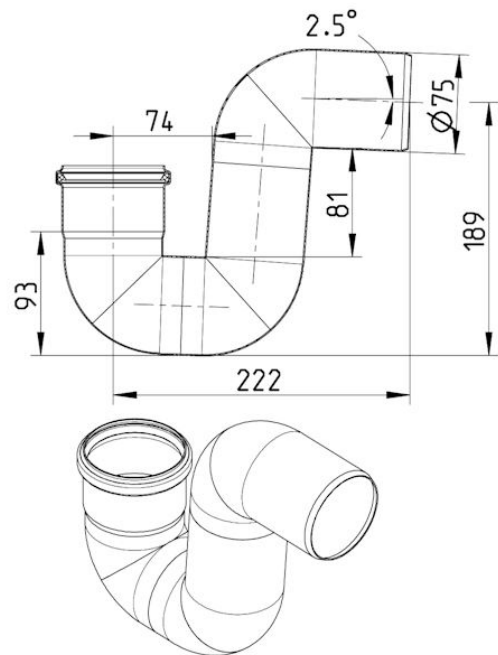
PL - Hygienic Certificate - All products

RS - 19.10098.262

KR - Type Approval CPH42135-PE001

Bureau Veritas - 03456-H0

US - IAPMO File No.3247-19B



**BLÜCHER®**

A WATTS Brand