

# Specification Sheet

## 525.040.050 S P-TRAP WITH COUPLING AND DRAIN PLUG

- Diameter:  $\text{Ø}1\frac{1}{2}"/50\text{mm}$
- Water seal height = 74mm
- Stainless steel: AISI316L/EN1.4404

### Product Codes

UPC/EAN: 5705499114072

VVS Number:

RSK Number: 1551565

NRF Number:

LVI Number:

### Specification

Brand Name: BLÜCHER

Material: AISI 316L

Material (EN): EN 1.4404

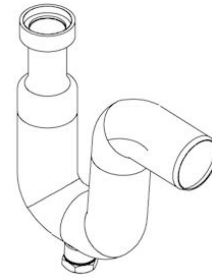
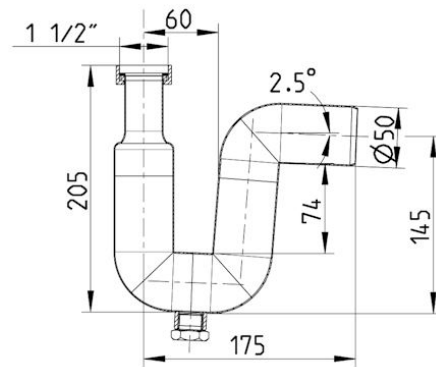
Outlet Diameter (mm): 50

Series: Water trap-hand wash

Type: Traps

Water Seal Height (mm): 74

Weight (kg): 0,90



**BLÜCHER®**

A WATTS Brand