

# Specification Sheet

## 710.503.000 UPPER PART

- With supporting ring for water trap
- Floor: resin
- Frame: Ø305mm
- Stainless steel: AISI304/EN1.4301

### Product Codes

EAN: 5705499108347  
VVS Number:  
RSK Number:  
NRF Number: 3396099  
LVI Number: 3303815

### Specification

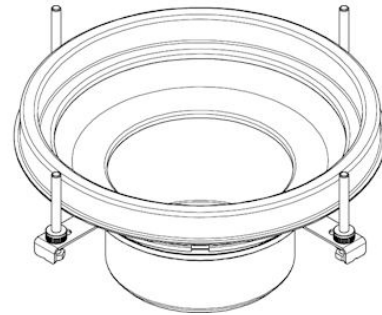
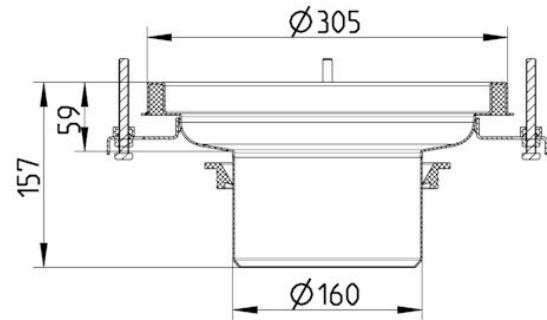
Floor: Resin  
Material: AISI 304  
Material (EN): EN 1.4301  
Number of Screw Holes: 0  
Outlet Diameter (mm): 160  
Shape: Round  
Size (mm): Ø305  
Type: Upper Parts  
Weight (kg): 3,48

### Approvals

Ü DE - LGA Certificate 57214035 c

RU - 0212321 Drains-18

PL - Hygienic Certificate - All products



**BLÜCHER®**

A WATTS Brand