

710.403.000 UPPER PART

- With supporting ring for water trap
- Floor: concrete and tiled
- Frame: 300x300mm
- Stainless steel: AISI304/EN1.4301

Product Codes

EAN: 5705499108200
VVS Number:
RSK Number: 7123989
NRF Number: 3396434
LVI Number: 3303809

Specification

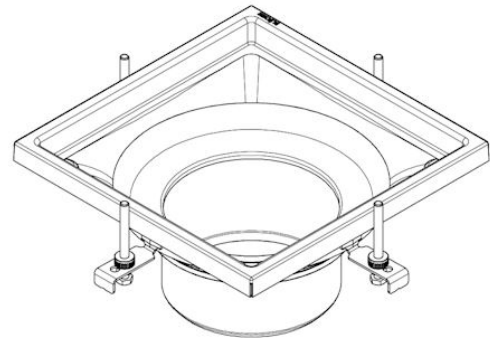
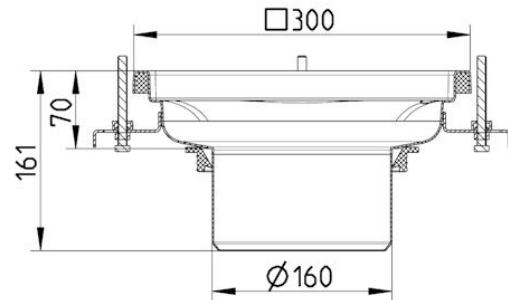
Floor: Concrete / Tiled
Material: AISI 304
Material (EN): EN 1.4301
Number of Screw Holes: 0
Outlet Diameter (mm): 160
Shape: Square
Size (mm): 300x300
Type: Upper Parts
Weight (kg): 3,18

Approvals

Ü DE - LGA Certificate 57214035 c

RU - 0212321 Drains-18

PL - Hygienic Certificate - All products



BLÜCHER[®]

A **WATTS** Brand