

## 726.401.110 INDUSTRIAL DRAIN, LOW

- Floor: concrete and tiled
- No membrane, frame: 250x250mm
- Outlet: Ø110mm, horizontal
- Stainless steel: AISI304/EN1.4301

### Product Codes

UPC/EAN: 5705499129205

VVS Number: 153042160

RSK Number:

NRF Number:

LVI Number:

### Specification

Adjustable: No

Brand Name: BLÜCHER

Floor: Concrete/tiled

Material: AISI 304

Material (EN): EN 1.4301

Membrane Type: No membrane

Minimum Height (mm): 172

Number of Inlets: 0

Number of Screw Holes: 0

Outlet Diameter (mm): 110

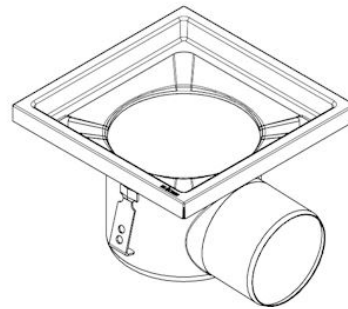
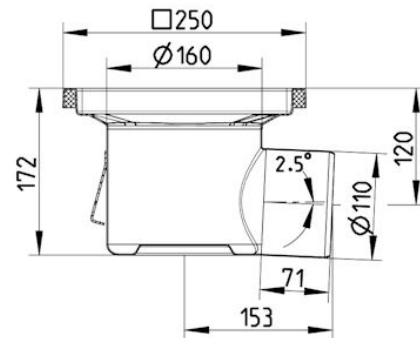
Outlet Direction: Horizontal

Series: Drain-No membrane-250

Shape: Square

Size: 250x250

Weight (kg): 1,98



**BLÜCHER®**

A WATTS Brand