

## 838.160.160 OBLIQUE BRANCH 45°

-Pipe diameter: Ø160mm. Branch diameter: Ø160mm  
-Stainless steel: AISI304/EN1.4301

### Product Codes

EAN: 5705499402490  
VVS Number: 160224160  
RSK Number: 1550115  
NRF Number: 2170107  
LVI Number: 0241165

### Specification

Angle (°): 45  
Length (mm): 331  
Material: AISI 304  
Material (EN): EN 1.4301  
Outlet Diameter (mm): 160  
Type: Branches  
Weight (kg): 3,04

### Approvals



NO - 0692-16



SE - SITAC 4423/90-17



FR - DTA 14.1/12-1811\*V2 EuroPipe



AUS - WMKT00204 - 18B



DK - VA 2.12/19349-19



DK - VA 2.12/19350-19

cUPC® US - IAPMO File No.3247-19A



DE - LGA Certificate 57214035 a

MARINE - R4547 NATO CODIFICATION SYSTEM

Bureau Veritas, 02375-H0

Lloyds Register 92-00041 (E7)

RU - 0212322 Pipes-18

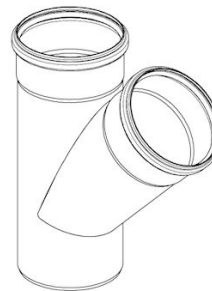
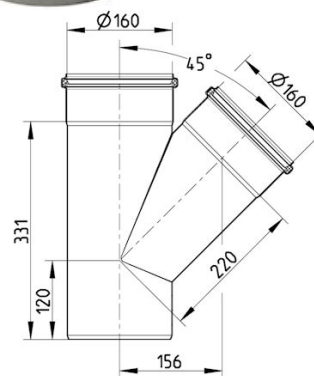
ABS - 18-LD1716353-PDA

DNVGL - TAP0000023-rev2

PL - Hygienic Certificate - All products

RINA -MAC285119XG EuroPipe

RS - 19.10097.262



# BLÜCHER®

A WATTS Brand

# Specification Sheet

## Approvals

Achilles Certificate - 25316-20

KR - Type Approval CPH42135-PE001

UR - 1055745

