

Specification Sheet

525.090.050 S P-TRAP 87.5°

- Diameter: Ø50mm
- Water seal height = 74mm
- Stainless steel: AISI316L/EN1.4404

Product Codes

EAN: 5705499101461
VVS Number: 160381350
RSK Number: 1550345
NRF Number: 3395041
LVI Number: 3304019

Specification

Angle (°): 87.5
Length (mm): 67
Material: AISI 316L
Material (EN): EN 1.4404
Max Flow (l/s): 1.7
Minimum Flow (l/s): 0.7
Outlet Diameter (mm): 50
Type: Traps
Water Seal Height (mm): 74
Weight (kg): 0,45

Approvals

 AUS - WMKT00204 - 18B

 DK - VA 2.41/19631-19

 DE - LGA Certificate 57214035 a

MARINE - R4547 NATO CODIFICATION SYSTEM

Bureau Veritas, 02375-H0

Lloyds Register 92-00041 (E7)

ABS - 18-LD1716353-PDA

DNVGL - TAP0000023-rev2

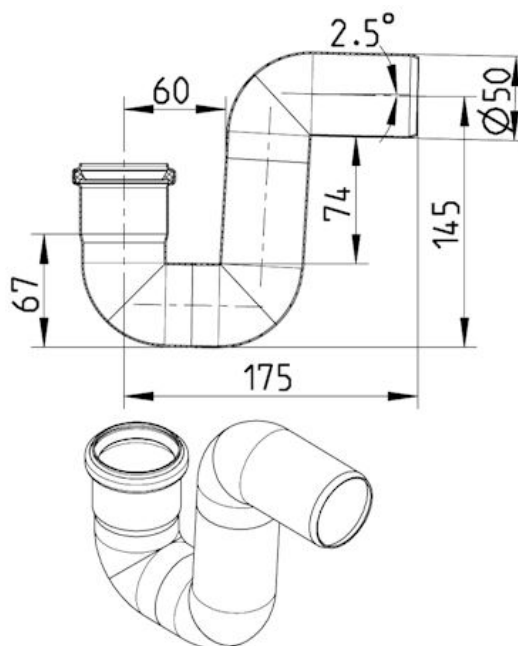
PL - Hygienic Certificate - All products

RS - 19.10098.262

KR - Type Approval CPH42135-PE001

Bureau Veritas - 03456-H0

US - IAPMO File No.3247-19B



BLÜCHER®

A **WATTS** Brand