

## 774.402.000.01 UPPER PART

- With screw lock
- Floor: concrete and tiled
- Frame: 200x200mm
- Stainless steel: AISI304/EN1.4301

### Product Codes

EAN: 5705499112009

VVS Number:

RSK Number:

NRF Number:

LVI Number: 3303823

### Specification

Floor: Concrete / Tiled

Material: AISI 304

Material (EN): EN 1.4301

Number of Screw Holes: 1

Outlet Diameter (mm): 160

Shape: Square

Size (mm): 200x200

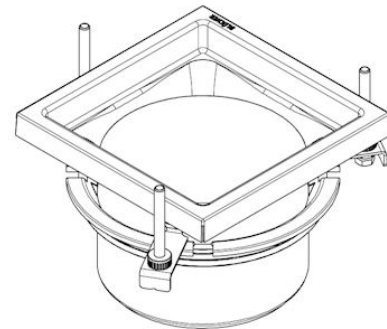
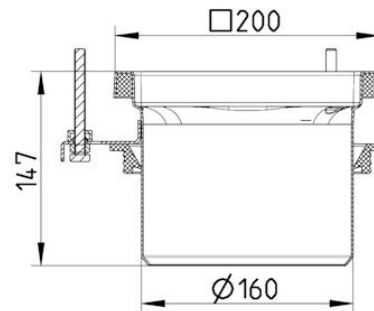
Type: Upper Parts

Weight (kg): 1,85

### Approvals

RU - 0212321 Drains-18

PL - Hygienic Certificate - All products



**BLÜCHER**<sup>®</sup>

A WATTS Brand