

Specification Sheet

774.402.000 UPPER PART

- Floor: concrete and tiled
- Frame: 200x200mm
- Stainless steel: AISI304/EN1.4301

Product Codes

EAN: 5705499111989
VVS Number:
RSK Number: 7123988
NRF Number: 3396425
LVI Number: 3303821

Specification

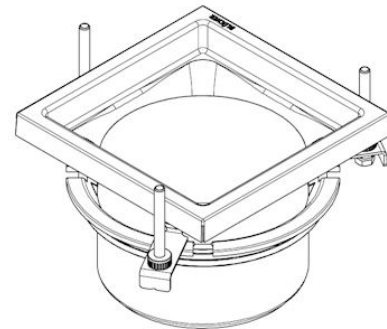
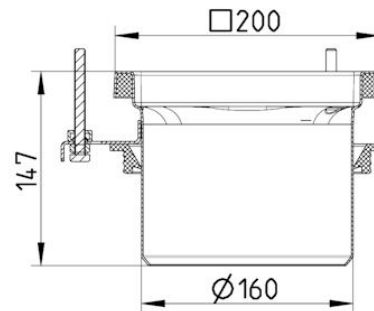
Floor: Concrete / Tiled
Material: AISI 304
Material (EN): EN 1.4301
Number of Screw Holes: 0
Outlet Diameter (mm): 160
Shape: Square
Size (mm): 200x200
Type: Upper Parts
Weight (kg): 1,85

Approvals

Ü DE - LGA Certificate 57214035 c

RU - 0212321 Drains-18

PL - Hygienic Certificate - All products



BLÜCHER®

A WATTS Brand