

# Specification Sheet

## 820.090.160 S BEND 87.5°

-Diameter: Ø160mm  
-Stainless steel: AISI316L/EN1.4404

### Product Codes

EAN: 5705499401455  
VVS Number: 160201460  
RSK Number: 1550288  
NRF Number: 2170771  
LVI Number: 0250835

### Specification

Angle (°): 87.5  
Material: AISI 316L  
Material (EN): EN 1.4404  
Outlet Diameter (mm): 160  
Type: Bends  
Weight (kg): 2,10

### Approvals



NO - 0692-16



SE - SITAC 4423/90-17



AUS - WMKT00204 - 18B



DK - VA 2.12/19349-19



DK - VA 2.12/19350-19



DE - LGA Certificate 57214035 a

MARINE - R4547 NATO CODIFICATION SYSTEM

Bureau Veritas, 02375-H0

Lloyds Register 92-00041 (E7)

RU - 0212322 Pipes-18

DNVGL - TAP0000023-rev2

PL - Hygienic Certificate - All products

RINA -MAC285119XG EuroPipe

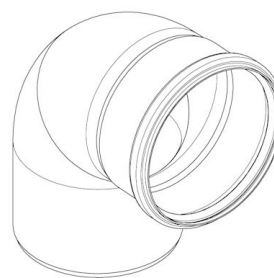
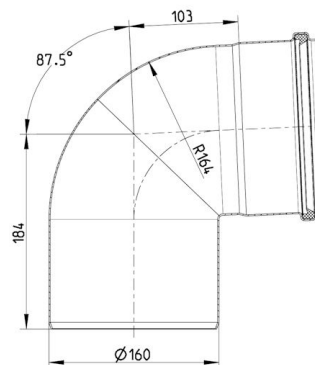
RS - 19.10097.262

Achilles Certificate - 25316-20

KR - Type Approval CPH42135-PE001

US - IAPMO File No.3247-19B

UR - 1055745



**BLÜCHER®**

A WATTS Brand