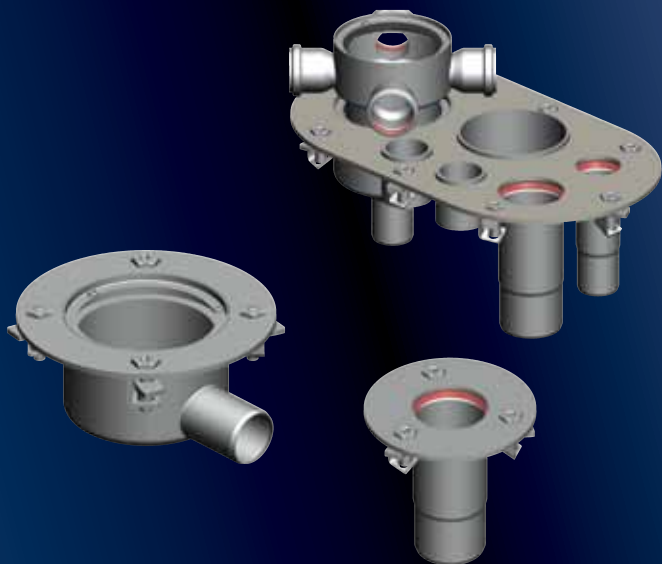


BLÜCHER® MARINE



FIXING SYSTEM WITHOUT WELDING FOR DECK PENETRATIONS

UK INSTALLATION INSTRUCTIONS



KEEPING UP THE FLOW

STAINLESS STEEL DRAINAGE SYSTEMS



1.

Ⓢ Mark up the hole to be cut in the deck with diameter and shape as specified in the table on page 4.



2.

Ⓢ We recommend laser-cutting (2A) the hole to provide the best possible conditions for the installation. Alternatively the hole can be cut using:

- A hole saw kit (2B)
- Flame cutting (2C)
- A reciprocating saw (2D)

Please note: If the maximum hole diameter as specified in the table on page 4 is exceeded, BLÜCHER will NOT be able to guarantee tightness between deck and flange.



3.

Ⓢ Clean the edge of the hole to remove dirt and burrs from top and bottom surfaces.



4.

(UK) Place the penetration in the centre of the cut-out hole.



5.

(UK) Fasten all fixings (cross tightening recommended).



6.

(UK) Tighten to 35Nm.
Use an electric drill/screwdriver (6A) and/or a torque wrench (6B).



7.

(UK) Use visual inspection to check that the penetration has been installed correctly:
The slot on top of the screw head must point towards the centre of the hole and the outer edge of the flange within the tolerance marked by the notch in the outer edge of the flange.








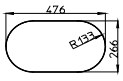
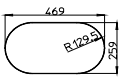
8.

(UK) For installations where insulation is required, we refer to certificate with attachment listing correct dimensions of insulation.

9.

(UK) Recommended cut-out hole sizes and shapes.

Please note that to ensure a water-tight installation, the maximum cut-out hole size must not be exceeded.

9 Types	Numbers	Pipe diameter	Recommended cut out hole diameter (+7/-1mm)	Max cut out hole diameter	Min cut out hole diameter
Pipe penetration 	868.900.050FS	Ø50mm	Ø112mm	Ø119mm	Ø111mm
	868.900.075FS	Ø75mm	Ø137mm	Ø144mm	Ø136mm
	868.900.110FS	Ø110mm	Ø172mm	Ø179mm	Ø171mm
Drain penetration 	470.900.050 S	---	Ø202mm	Ø209mm	Ø201mm
	470.900.075 S	---	Ø202mm	Ø209mm	Ø201mm
	470.900.110 S	---	Ø202mm	Ø209mm	Ø201mm
	475.900.050 S	---	Ø202mm	Ø209mm	Ø201mm
	475.900.075 S	---	Ø202mm	Ø209mm	Ø201mm
Group penetration 	490.900.050 S	---	259x469mm R129,5mm 	266x476mm R133mm 	258x468mm R129mm 